

SCREW SCREEN

SCREEN, WASH, & COMPACT

The Or-Tec Screw Screen Compactor screens, compacts, washes and lifts screenings to a convenient height for disposal. The unit is provided with screen aperture sizes ranging from 0.25 to 7 mm depending on the application. The unit is suitable for in channel applications, vertical applications, or in tank for flange connection. Units are available without compactor where screening only is required.

- Self-Cleaning Screen
- Wash Station in the Screening, Transport and Compaction Zones
- Easy to Install & Maintain
- Auto Start-Up, Run, and Shutdown
- Channel, Tank and Vertical Models Available
- Endless Bagging System (Optional)



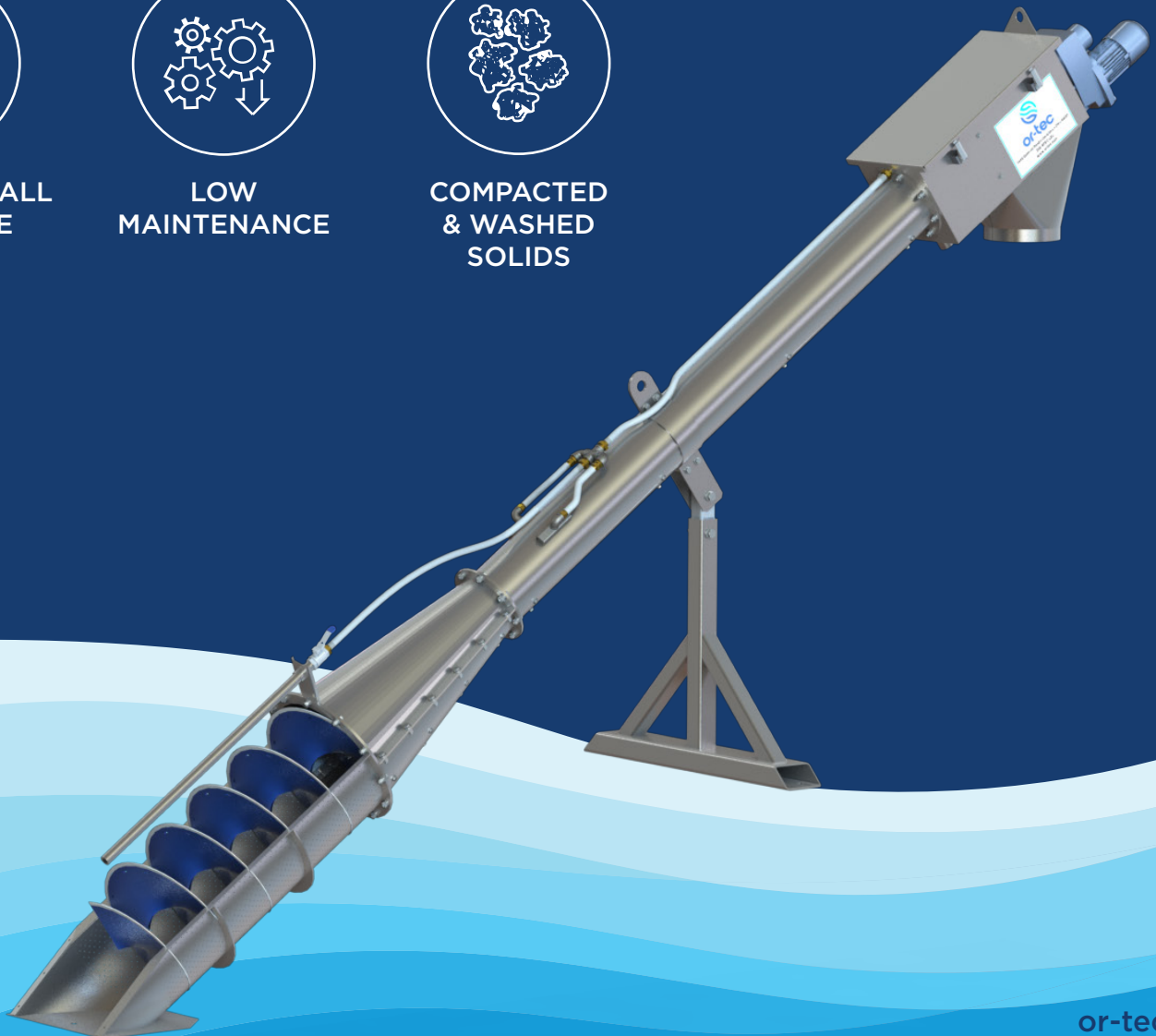
**EASY TO INSTALL
& OPERATE**



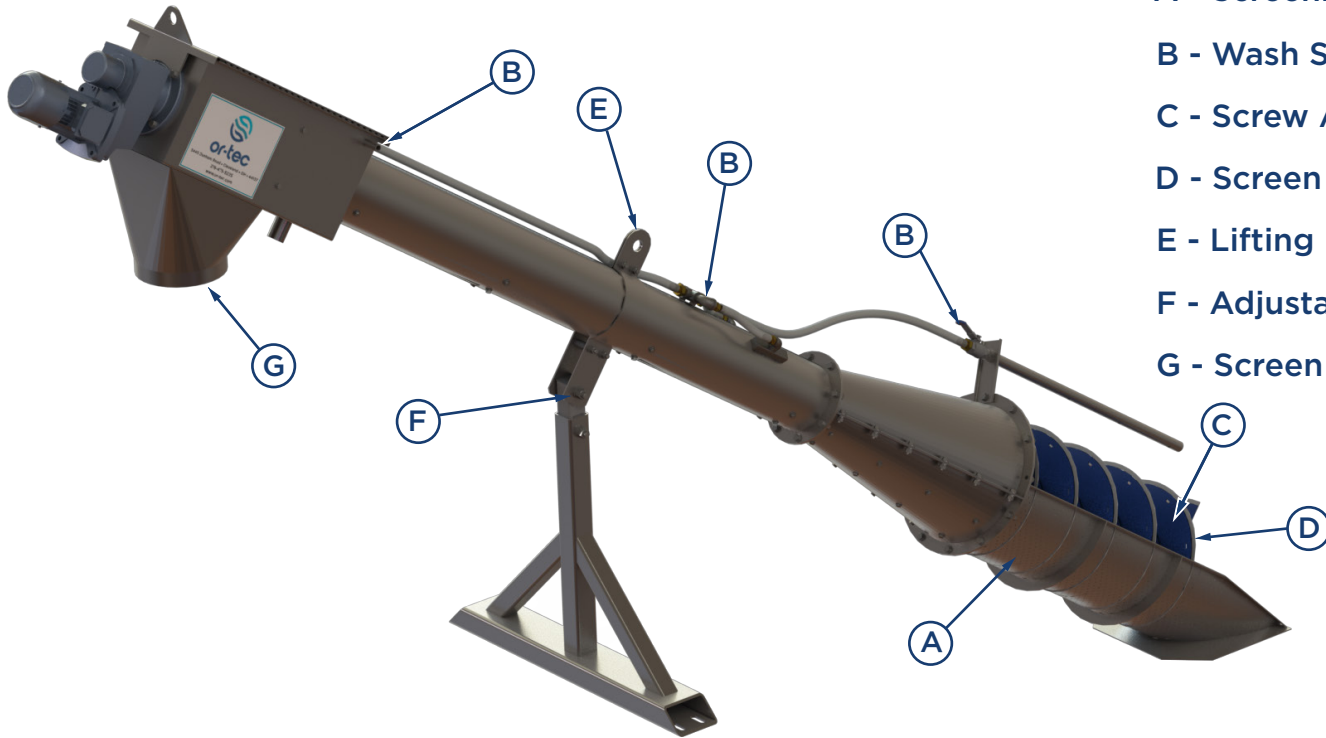
**LOW
MAINTENANCE**



**COMPACTED
& WASHED
SOLIDS**



IN CHANNEL, VERTICAL, & IN TANK



- A - Screening Basket
- B - Wash Station
- C - Screw Assembly
- D - Screen Brushes
- E - Lifting Bracket
- F - Adjustable Support
- G - Screen Discharge

Screen Size (mm)*	OSC 2 GPM	OSC 3 GPM	OSC 4 GPM	OSC 5 GPM	OSC 6 GPM	OSC 7 GPM
7	790	880	1,615	2,110	2,945	4,705
6	680	790	1,215	1,870	2,690	4,530
3	440	550	790	1,425	2,055	3,300
2	175	220	330	705	925	1,495
1	220	395	570	1,185	1,580	2,330
0.50	195	260	395	855	1,230	1,625
0.25	85	150	240	570	880	1,275
Max Level Before Screen						
	15.50"	17"	18"	22"	26.50"	31.50"

**2mm to 7mm use perforated screens, 0.25mm to 1mm use wedge wire screens*

Influent Type	Derate Factor*
Typical Municipal Flow (200-500mg/L)	1.00
Typical Municipal Flow with Storm Water	1.30
Food and Beverage Processor	0.70
Tannery or Textile	0.60
Slaughterhouse	0.50

**To calculate specific application capacity multiple the flow rate from the table by the listed derate factor*