

ROTARY DRUM SCREEN

SCREEN, WASH, & COMPACT

The Or-Tec Rotary Drum Screen, screens, compacts, washes and elevates screenings to a convenient height for disposal. The unit is provided with screen aperture sizes ranging from 0.25 wedge wire to 8 mm depending on the application. The unit is suitable for in channel applications or in tank for flange connection. Units are available without compactor where screening only is required.

- High Flowrate Fine Screen
- Self-Cleaning Screen
- Wash Station in the Screening, Transport and Compaction Zones
- Easy to Install & Maintain
- Auto Start-Up, Run, and Shutdown
- Channel and Tank Models Available
- Endless Bagging System (Optional)



EASY TO INSTALL
& OPERATE



LOW
MAINTENANCE

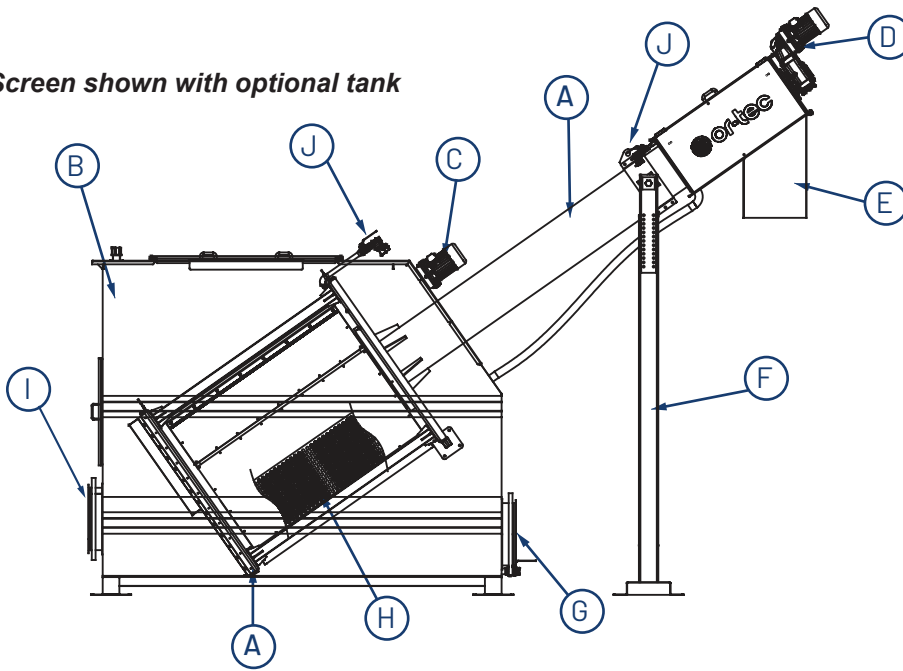


COMPACTED
& WASHED
SOLIDS



IN CHANNEL & IN TANK

Screen shown with optional tank



- A - Rotary Drum Screw
- B - Optional Tank
- C - Drum Geardrive
- D - Screw Geardrive
- E - Screenings Discharge
- F - Support
- G - Discharge Flange
- H - Perforated or Wedgewire Drum
- I - Inlet Flange
- J - Wash System

Model	ORD 800	ORD 1000	ORD 1200	ORD 1400	ORD 1600	ORD 1800	ORD 2000	ORD 2400	ORD 2600
0.5 mm ww	475	1,034	1,276	1,893	2,553	3,478	4,138	6,428	8,013
1.0 mm wedgewire	1,188	1,761	2,069	3,170	4,270	6,516	7,705	10,655	13,200
2.00 mm wedgewire	1,276	2,157	3,170	4,121	6,252	8,101	8,849	12,240	14,573
1.0 mm perforation	1,004	1,232	1,695	2,743	3,698	4,777	5,754	7,750	8,352
2.0 mm perforations	1,114	1,409	1,937	3,134	4,226	5,459	6,560	8,629	9,554
3.0 mm perforations	1,871	1,761	2,421	3,918	5,283	6,824	8,220	10,787	11,931
5.0 mm perforations	2,734	3,923	5,190	7,489	11,808	13,829	17,871	22,270	28,213
6.0 mm perforations	3,038	4,358	5,767	8,321	13,120	15,366	19,856	24,744	31,348
8.0 mm perforations	3,566	4,490	8,409	10,831	13,692	17,171	21,794	26,373	33,065

Flow listed in gallons per minute

Influent Type	Derate Factor*
Typical Municipal Flow (200-500mg/L)	1.00
Typical Municipal Flow with Storm Water	1.30
Food and Beverage Processor	0.70
Tannery or Textile	0.60
Slaughterhouse	0.50

*To calculate specific application capacity multiply the flow rate from the table by the listed derate factor
Listed peak flows are for reference only. Contact Or-Tec for specific application capacities.