

AlphaDisc

THE CLEAN FILTER

The Or-Tec AlphaDisc is a cutting-edge solution for wastewater treatment, expertly engineered to deliver superior removal of Total Suspended Solids (TSS), Biochemical Oxygen Demand (BOD), and phosphorus. With its advanced stainless 316L woven steel filtration system, it provides precision filtering capabilities, handling particle sizes as small as 5 microns and up to 200 microns with unmatched efficiency.

Designed for performance and reliability, the Or-Tec AlphaDisc ensures cleaner effluent through powerful high-pressure washing that effectively captures and eliminates suspended solids. This innovative system offers wastewater plants a robust, cost-effective, and environmentally friendly way to achieve higher water quality standards.

FEATURES

- **Continuous Process:** Operates seamlessly for uninterrupted performance.
- **High Capacity:** Designed to handle large volumes efficiently.
- **Minimal Maintenance:** Low upkeep requirements reduce downtime and costs.
- **Low Noise Level:** Quiet operation for improved working environments.
- **Versatile Installation:** Suitable for tank or concrete channel setups.
- **Durable Construction:** 316L stainless steel woven filters with 5 year life cycle.
- **Energy Efficient:** Optimized for reduced energy consumption.



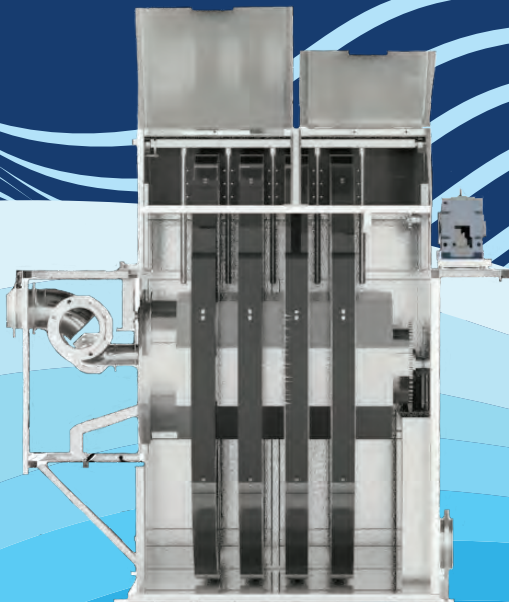
**EASY TO
OPERATE**



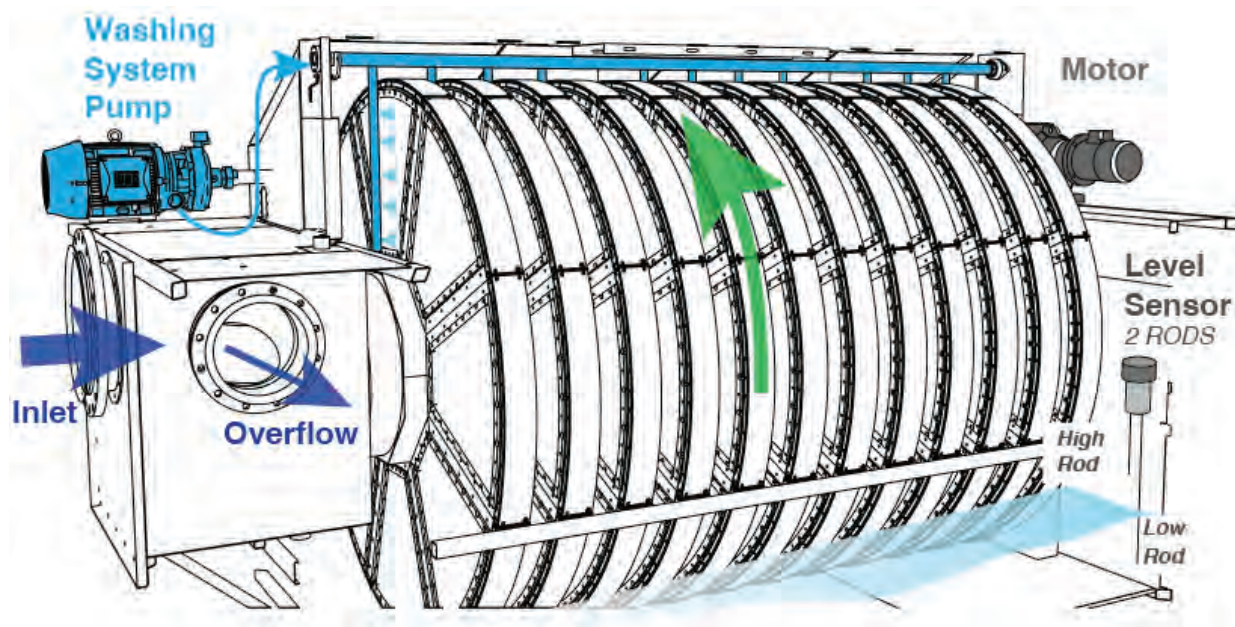
**LOW
MAINTENANCE**



**SUPER FINE
FILTRATION**



IN CHANNEL IN TANK



FEATURES

- **Handles High Flows:** Capable of processing more than 6.8 million gallons per unit for large-scale applications.
- **State-of-the-Art Filtration:** Designed for efficient containment and capture of solids removed from liquids.
- **Self-Cleaning System:** Ensures consistent performance with minimal manual intervention.
- **Multi-Disc Systems with Auto Washing:** Enhances efficiency and reduces downtime.
- **Durable Woven 316 Stainless Steel Filters:** Self cleaning and easy to replace.
- **Low Power Consumption:** Ideal for energy-efficient operations across various industries.
- **Versatile Applications:** Suitable for municipal wastewater, industrial processes (paper and steel), drinking water, and food/beverage production.
- **Easy Maintenance:** Spray bar systems tilt 90° away from the discs for accessibility.
- **Compact Modular Design:** Saves space and supports flexible installation.