

OR-TEC TRUE GRIT

Vortex Grit System & Classifier

The OR-TEC True Grit System is the perfect solution for separating and dewatering grit/sand from wastewater. The True Grit's unique adjustable rotating blades create a vortex that promotes grit settling. A pneumatic airlift or grit pump positioned adjacent to the grit system transfers the settled grit to the Grit Classifier. In the Grit Classifier further settling occurs and the grit is augered up and out of the tank for ease of disposal. An optional wash system incorporated in the screw section of the separator makes it possible to greatly reduce organic material from the grit/sand.

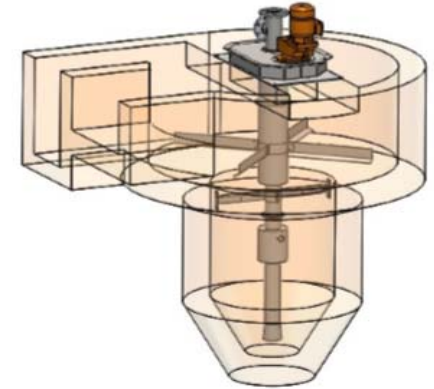
Construction material

Shaft, paddles and transfer pipework: Stainless Steel 304 or 316

Drive System housing: Epoxy coated hardened carbon steel

Features

- Removes sand and grit particles greater than 100 microns (.004")
> 95% efficiency
- Cost effective grit/sand separation
- Low power usage
- Grit Classifier option
- Optional Air agitation and discharge flushing



Applications

- WWTP Headworks
- Sand Reclamation
- Industrial Materials



14500 Industrial Ave. South
Maple Heights, OH 44137
P: 216-475-5225
F: 216-475-5229
info@or-tec.com

or-tec.com

