

OR-TEC GEMINI BELT PRESS

800, 1200, 1700, & 2200 Series



The OR-TEC Gemini Series Belt Press is a double belt system ideal for the medium to large size W.W.T.P. This press combines a gravity drainage zone, a low pressure zone and high pressure shear zone to provide a large dry solids throughput and an excellent final cake. The system can be customized to the clients needs with a full range of ancillary equipment from sludge pumping to dry cake conveying

The unit is constructed from stainless steel and includes the Gemini two belt system, eight pressure rollers, electrically actuated belt tensioning systems and tracking systems, wash water system, sludge cake removal doctor blades and comes in sizes from 0.8 meter to 2.2 meters



The *OR-TEC GEMINI Series* System features:

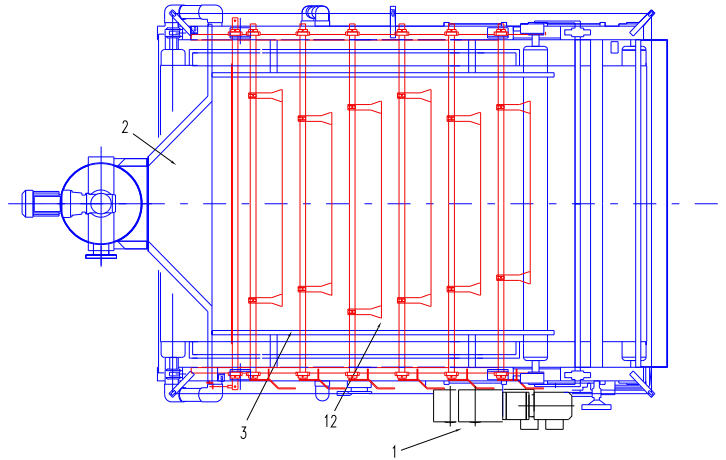
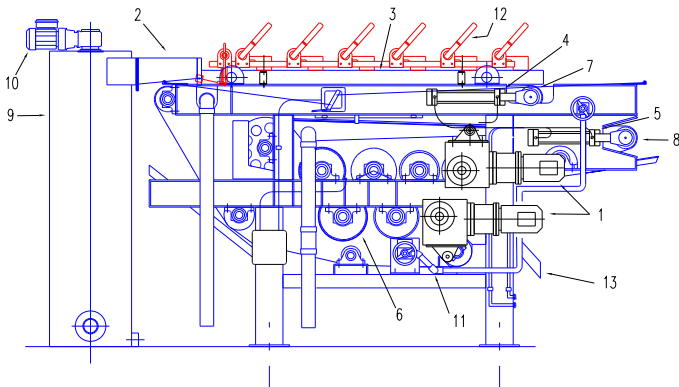
- All Stainless Steel Belt Press
- Skid mounted, turnkey system
- Electrically actuated
- No hydraulics, no pneumatics
- Flocculation tank with variable speed mixer
- Touchscreen Control Panel
- Automated start up and shutdown
- "No sludge cake" monitoring system
- Box stainless steel construction with 1/2" ss machined bearing plates

14500 Industrial Ave. South
Cleveland, OH 44137
P: 216-475-5225
F: 216-475-5229
info@or-tec.com

or-tec.com



OR-TEC GEMINI SERIES BELT PRESS



NO: DESCRIPTION

- 1 BELT DRIVE UNITS
- 2 SLUDGE INLET CHANNEL
- 3 SLUDGE DISPERSION UNIT
- 4 UPPER BELT TENSION CYLINDER
- 5 LOWER BELT TENSION CYLINDER
- 6 PRESSURE ROLLER
- 7 TOP BELT
- 8 BOTTOM BELT
- 9 FLOCCULATION TANK
- 10 FLOCCULATION TANK MIXER
- 11 WASH WATER DRAIN
- 12 SLUDGE PLOW ASSEMBLY
- 13 SLUDGE CAKE DISCHARGE

Some typical results....

Type of sludge	Feed Sludge Conc %	Sludge Feed Rate (gph)	Dry Solids Feed Rate (1 lb./hr)	Poly Conc %	Poly Feed Rate (lbs/ton d.s.)	Final Cake %
Activated Sludge from Municipal WWTP	1.5	5995 (1.0m) 8912 (1.5m) 11990 (2.0m)	750 (1.0m) 1115 (1.5m) 1500 (2.0m)	0.25	8-10	18 plus
Activated Sludge from Anaerobic WWTP	3.6	3230 (0.5m) 4796 (1.0m) 6461 (1.5m)	970 (1.0m) 1440 (1.5m) 1940 (2.0m)	0.25	8-12	22 plus
Primary and Secondary Activated Sludge from Municipal WWTP	3.25	4150 (0.5m) 6161 (1.0m) 8300 (2.0m)	1125 (1.0m) 1670 (1.5m) 2250 (2.0m)	0.25	8-10	25 plus
Flotation Skimmings	8.2	2120 (1.0m) 3180 (1.5m) 4240 (2.0m)	1450 (1.0m) 2175 (1.5m) 2900 (2.0m)	0.20	10-12	30 plus

A premier manufacturer of quality equipment in the Municipal, Industrial, Food Processing and Agricultural Marketplace